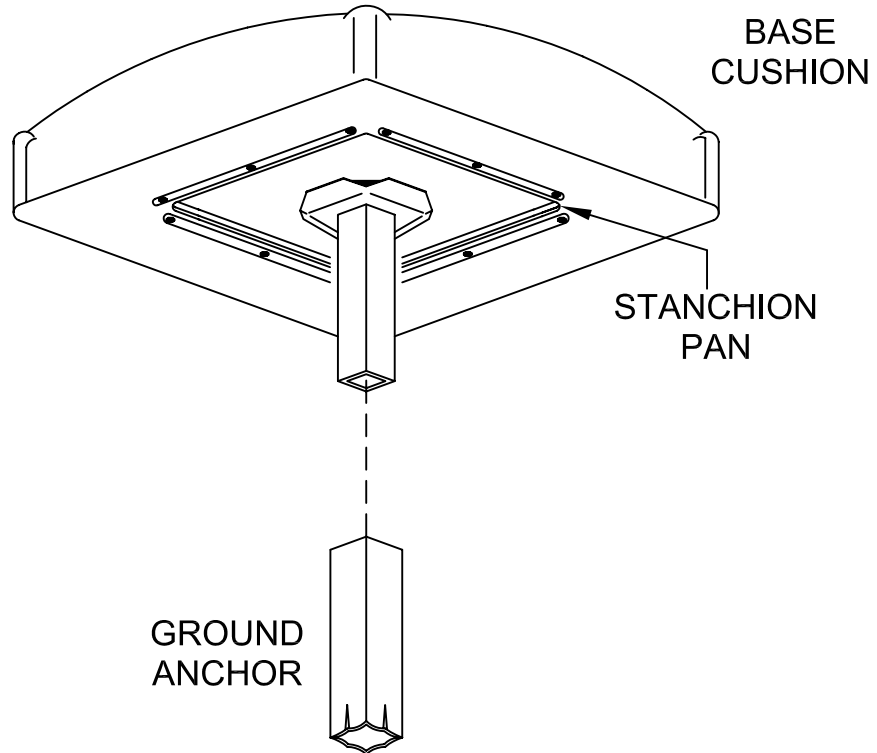




## MAJOR LEAGUE BASES



### WARNING



*These products should be replaced when textured surface is worn. If unsafe conditions exist due to improper installation or maintenance, do not use field. Contact field maintenance personnel to repair as necessary prior to playing. Under no circumstance should play commence when bottom of base is standing above playing surface. Injury may result. Sliding into a baseball base represents a clear and present danger. Injury may result.*

# BASE ANCHORS

## INSTRUCTIONS FOR LOCATING ANCHORS FOR BASES

**NOTE:** Any method of installing ground anchors, other than shown in these instructions, may create damage to the bases and the warranty will become void.

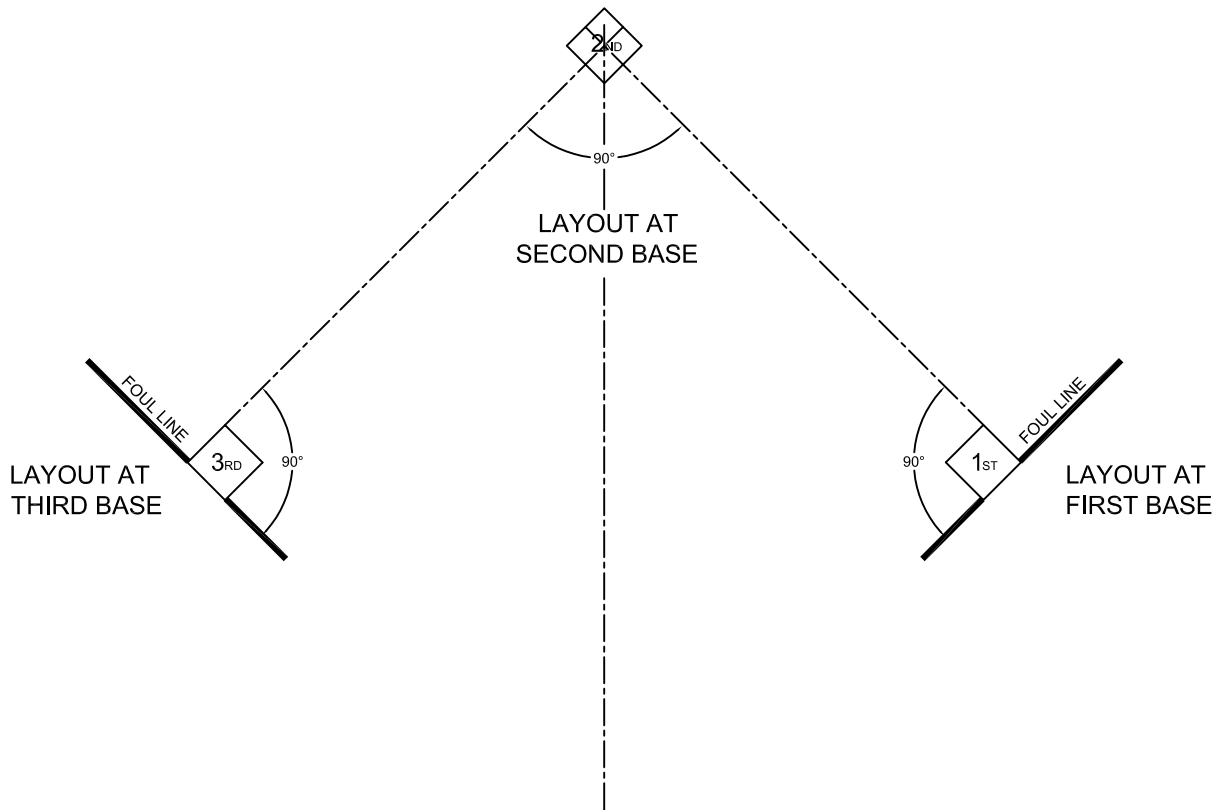
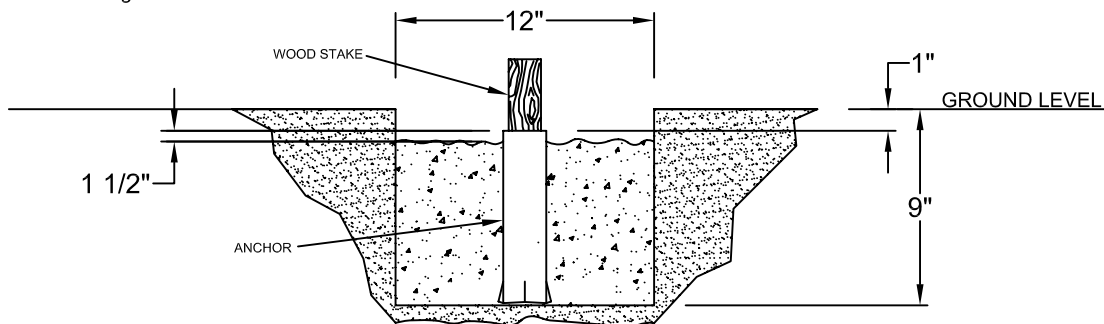


ILLUSTRATION 1

1. Excavate a 12" x 12" square hole, nine (9") inches below average ground level. (See Illustration 2).
2. Insert a 1 1/2" square wooden stake into Anchor. Check vertical position of stake both ways with a level to assure accuracy. Stake must be removed later. (See Illustration 2).
3. Press into soil so top of anchor rim is one (1) inch below average ground level of playing field. Check with long wooden straight edge to insure proper positioning.
4. Mix and pour enough concrete to embed anchor up to within approximately 1 1/2" from top of tube. Allow concrete to harden completely before removal of stake (See Illustration 2).
5. After concrete dries, dirt can be brushed over surface of concrete to within a few inches of tube opening. Base should always be flat on ground during play.
6. If ground anchor should become plugged with dirt at any time it can be easily cleaned by using a clean out tool.



ANCHOR INSTALLATION  
ILLUSTRATION 2